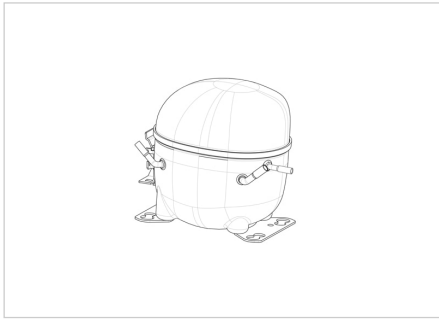


MODEL

**NEK6210GK**

embraco



## APPROVALS


 **ENGINEERING CODE**

958CA51

 **APPROVED REFRIGERANT**

R-404A

 **POWER SUPPLY**

220-240 V 50 Hz

 **STANDARD CONDITIONS**

ASHRAE

 **APPLICATION**

MBP

 **COOLING CAPACITY**

1318 W

 **EFFICIENCY**

2.12 W/W

 **MOTOR TYPE**

CSIR

 **STARTING TORQUE**

HST

## DATA

## General Data

Type	Hermetic reciprocating
Technology Type	On-Off
Displacement	8.77 cm <sup>3</sup>
Compressor Cooling	Fan
Fan Air Flow	520 m <sup>3</sup> /h
Expansion Device	Capillary Tube or Expansion Valve
Horse Power	1/2 hp
Max Condensing Pressure Operating	24.71 bar
Max Condensing Pressure Peak	27.71 bar
Power Supply	220-240 V 50 Hz
Evaporating Temperature Range	-20 °C to 10 °C

## Electrical Data

Motor type	CSIR
Starting Torque	HST
Start Winding Resistance	34.8 Ω at 25° C
Run Winding Resistance	5.26 Ω at 25° C

## Mechanical Data

Maximum Recommended Refrigerant Charge	350 g
Oil Charge	350 ml
Oil Type Configuration	Polyolester
Oil Type Viscosity	ISO22
Pressurization	Dry air charge
Weight	10.7 Kg
Free Internal Volume	2.1 L

## Electrical Components

	Description
Start Capacitor	53-64 7F / 330V
Starting Device	Current relay   MTRP-0029-65
Motor Protection	External 3/4" T0660/G6

## External Characteristics

Base Plate	European	
Tray Holder	No	
Height	200 mm	
Connector	Internal Diameter	Shape
Suction	8.1 mm	Slanted 42°
Discharge	6.1 mm	Straight
Process	6.1 mm	Slanted 42°

## PERFORMANCE

## Rated Points

Condensing Temperature	Evaporating Temperature	Cooling Capacity	Power Consumption	Current	Gas Flow Rate	Efficiency
54.40°C	7.20°C	1318 W	622 W	3.45 A	37.02 kg/h	2.12 W/W

Test Condition: ASHRAE, Fan, Return Gas 35°C, Evaporation 7.20°C, Condensing 54.40°C, Ambient 35°C, Liquid 46.1°C. Data in accordance to ASHRAE guideline polynomial curve.

## Performance Curve Data

### Condensing Temperature 35°C

Evaporating Temperature °C	Cooling Capacity W	Power W	Current A	Gas Flow Rate kg/h	Efficiency W/W
-20	634	328	2.27	13.72	1.93
-15	770	360	2.39	16.78	2.14
-10	942	390	2.51	20.64	2.41
-5	1149	419	2.62	25.36	2.74
0	1392	445	2.72	30.99	3.13
5	1670	470	2.82	37.57	3.55
10	1984	494	2.91	45.17	4.01

Test Condition: ASHRAE, Fan, MBP. Data in accordance to ASHRAE guideline polynomial curve.

### Condensing Temperature 45°C

Evaporating Temperature °C	Cooling Capacity W	Power W	Current A	Gas Flow Rate kg/h	Efficiency W/W
-20	563	350	2.33	13.46	1.61
-15	674	392	2.49	16.22	1.72
-10	817	432	2.65	19.78	1.89
-5	991	469	2.8	24.19	2.11
0	1197	504	2.95	29.50	2.37
5	1434	538	3.09	35.76	2.67
10	1703	569	3.23	43.03	2.99

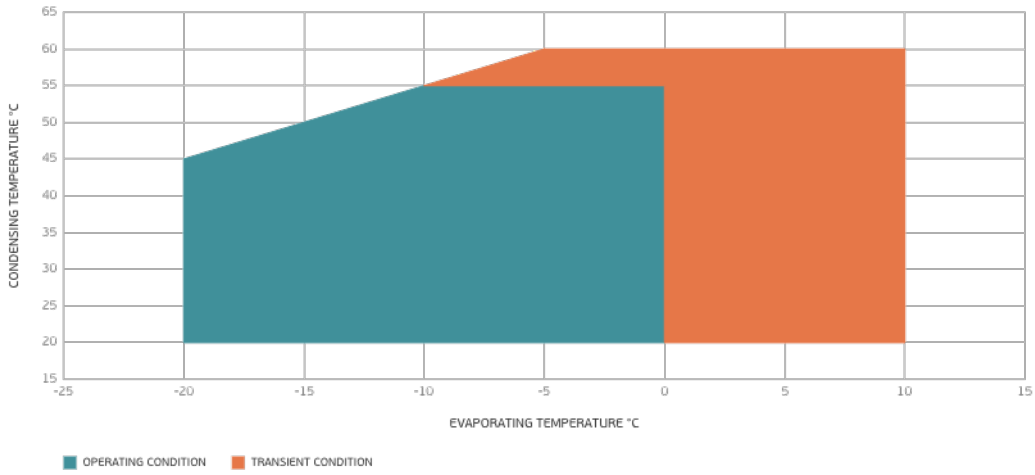
Test Condition: ASHRAE, Fan, MBP. Data in accordance to ASHRAE guideline polynomial curve.

### Condensing Temperature 55°C

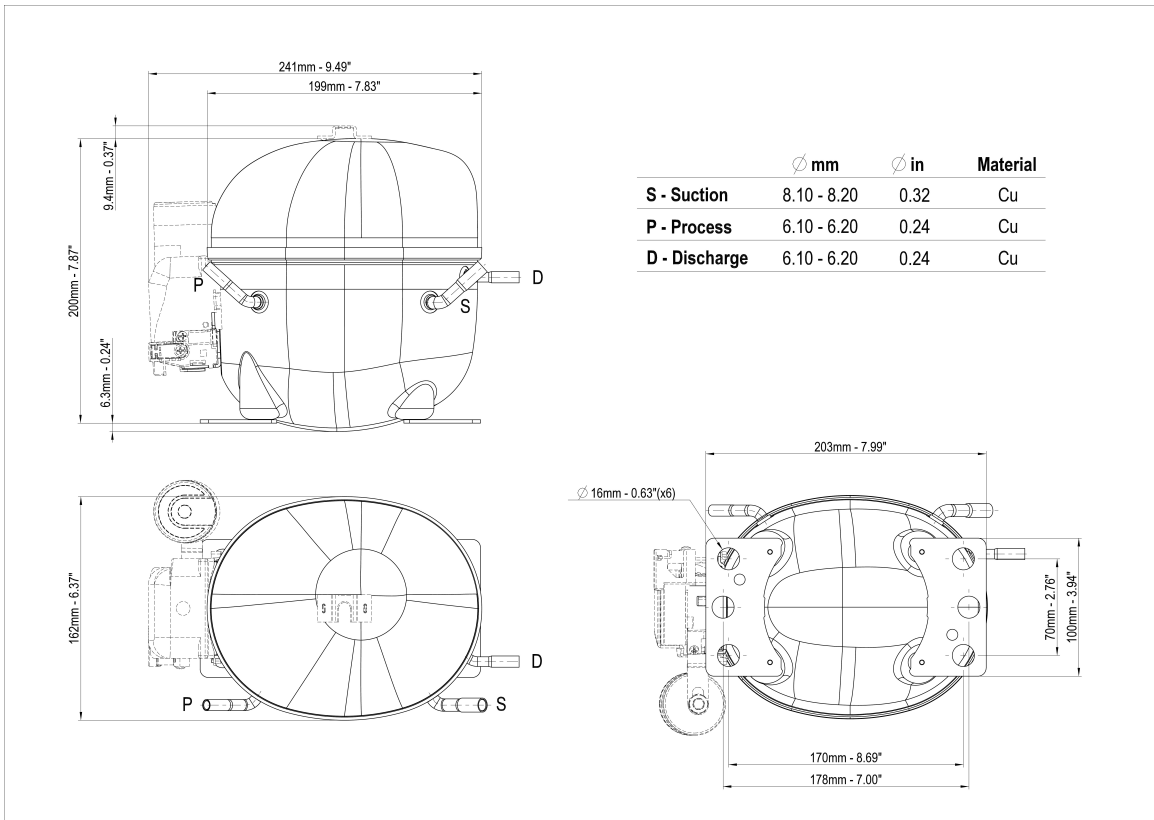
Evaporating Temperature °C	Cooling Capacity W	Power W	Current A	Gas Flow Rate kg/h	Efficiency W/W
-10	668	470	2.81	18.19	1.42
-5	819	519	3.01	22.51	1.58
0	998	565	3.2	27.73	1.77
5	1204	609	3.39	33.89	1.98
10	1438	650	3.58	41.04	2.21

Test Condition: ASHRAE, Fan, MBP. Data in accordance to ASHRAE guideline polynomial curve.

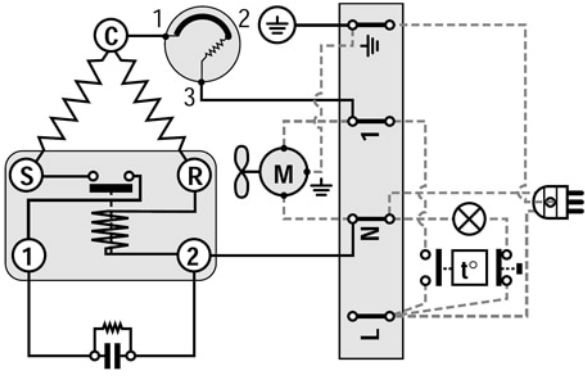
## Operating Envelope



## External Dimensions



## Wiring Diagram



## Assembly Instructions

